
REVISION HISTORY

NUMBER	DATE	DESCRIPTION	NAME
2.7.4	2022-04-12	Current release of Network UPS Tools (NUT).	
2.6.0	2011-01-14	First release of AsciiDoc documentation for Network UPS Tools (NUT).	

Contents

1	APC	1
1.1	940-0024C clone	1
1.2	940-0024E clone	1
1.3	940-0024C clone for Macs	1
2	Belkin	2
2.1	OmniGuard F6C***-RKM	2
3	Eaton	2
3.1	MGE Office Protection Systems	3
3.1.1	DB9-DB9 cable (ref 66049)	3
3.1.2	DB9-RJ45 cable	3
3.1.3	NMC DB9-RJ45 cable	4
3.1.4	USB-RJ45 cable	4
3.1.5	DB9-RJ12 cable	5
3.2	Powerware LanSafe	7
3.3	SOLA-330	7
4	HP - Compaq	8
4.1	Older Compaq UPS Family	8
5	Phoenixtec (Best Power)	8
6	Tripp-Lite	9

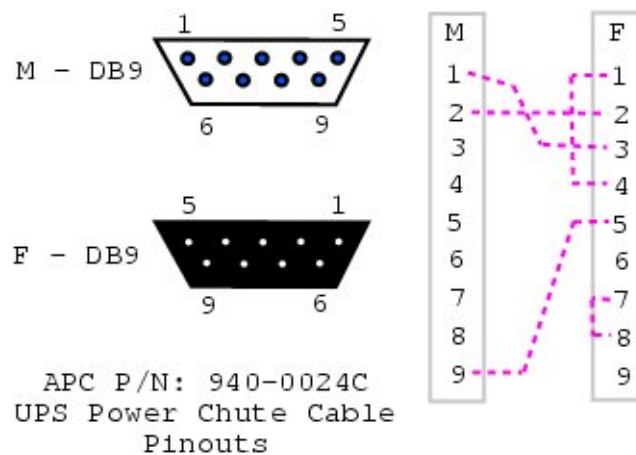
Two NUT websites

This version of the page reflects NUT release v2.7.4 with codebase committed 0b4bfddbc at 2016-03-09T14:24:11+01:00
Options, features and capabilities in current development (and future releases) are detailed on the main site and may differ from ones described here.

1 APC

1.1 940-0024C clone

From D. Stimits



Note

The original 940-0024C diagram was contributed by Steve Draper.

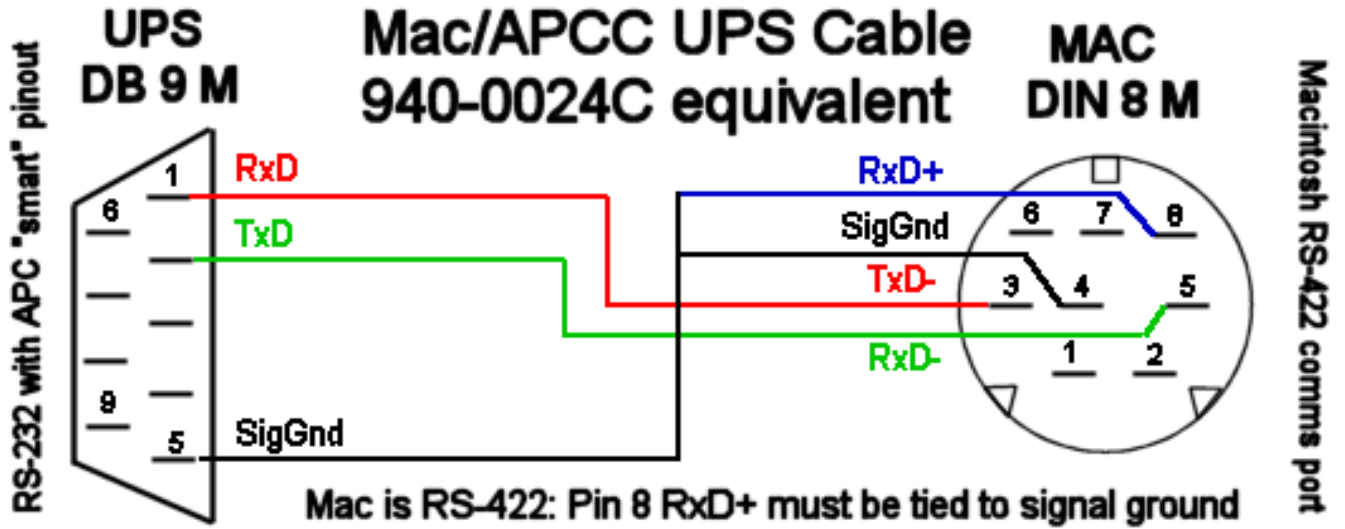
1.2 940-0024E clone

Reported by Jonathan Laventhol

This cable is said to use the same wiring as 940-0024C clone.

1.3 940-0024C clone for Macs

From Miguel Howard



2 Belkin

2.1 OmniGuard F6C***-RKM

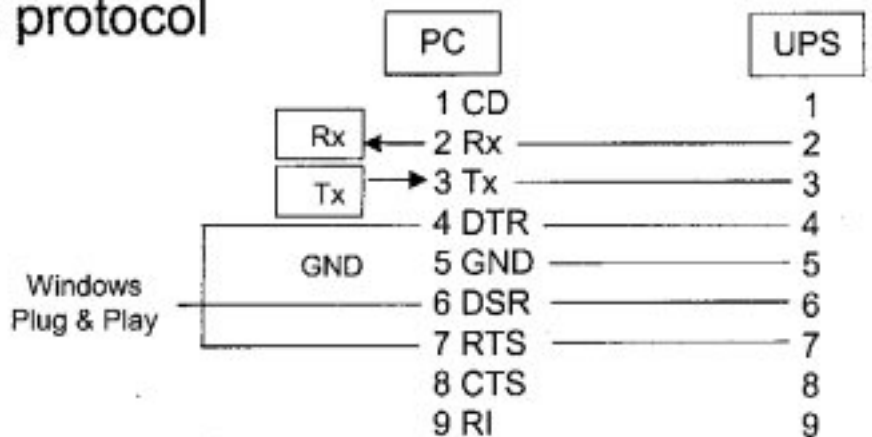
From "Daniel"

A straight-through RS-232 cable (with pins 2-7 connected through) should work with the following models:

- F6C110-RKM-2U
- F6C150-RKM-2U
- F6C230-RKM-2U
- F6C320-RKM-3U

● RS232

Character based protocol



3 Eaton

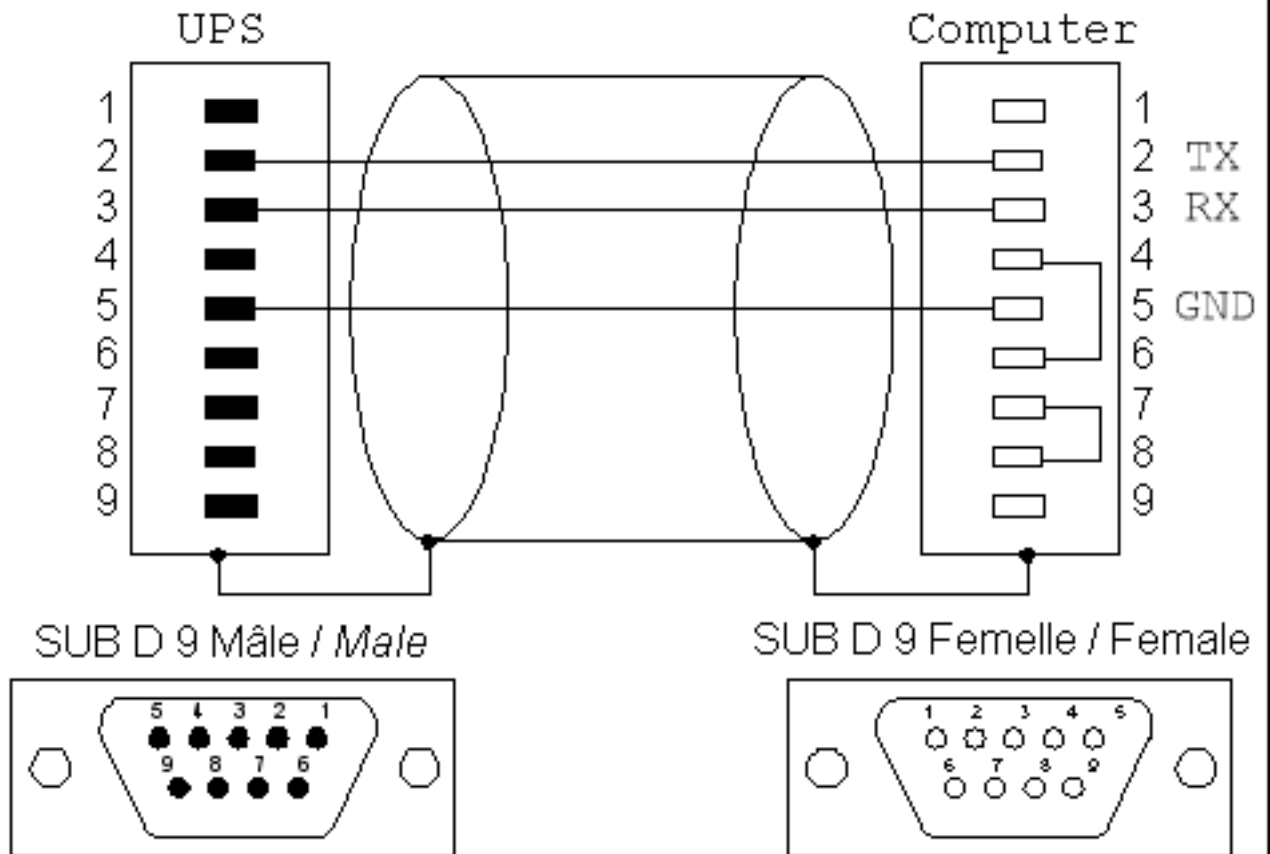
Documents in this section are provided courtesy of Eaton.

3.1 MGE Office Protection Systems

The three first cables also applies to MGE UPS SYSTEMS and Eaton.

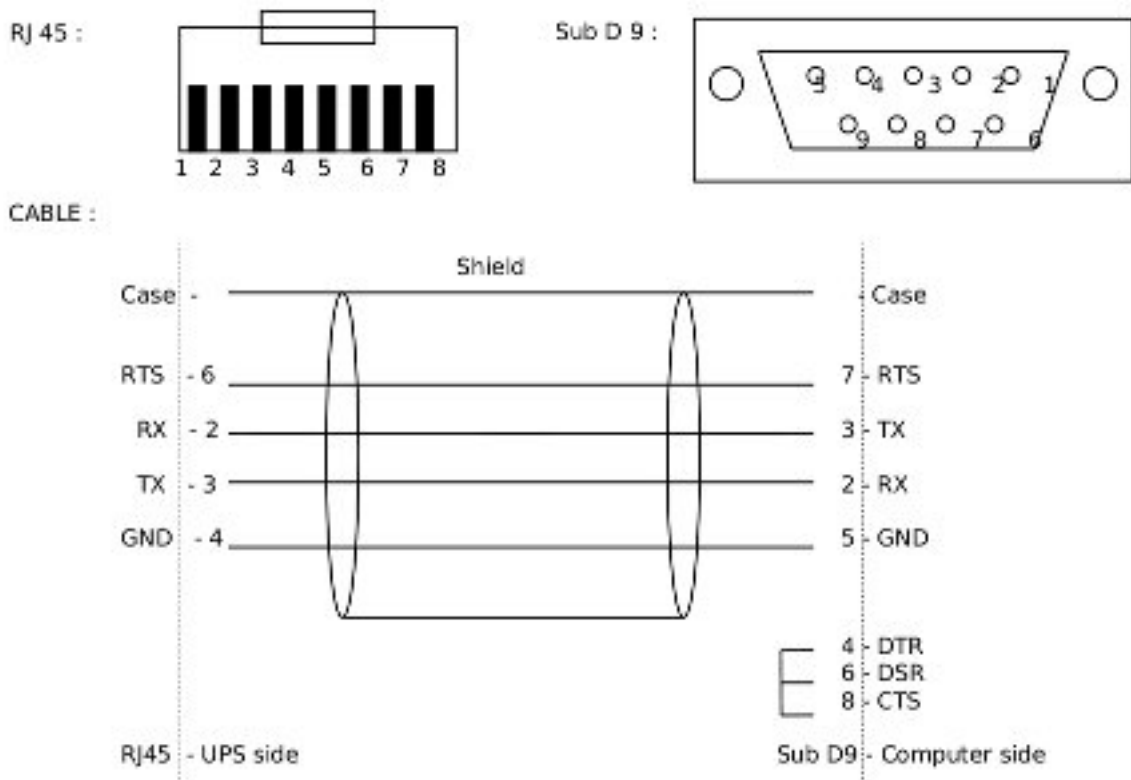
3.1.1 DB9-DB9 cable (ref 66049)

This is the standard serial cable, used on most units.



3.1.2 DB9-RJ45 cable

This cable is used on the more recent models, including Ellipse MAX, Protection Station, ...



3.1.3 NMC DB9-RJ45 cable

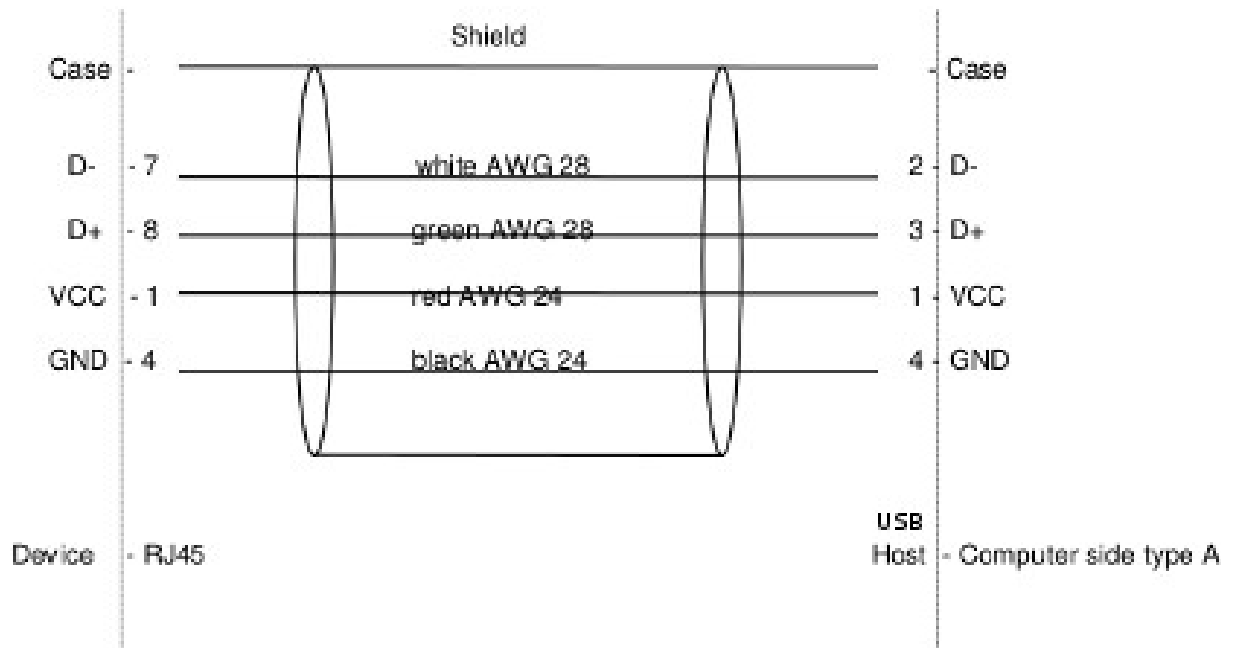
The following applies to the MGE 66102 NMC (Network Management Card), and possibly other models. The NMC connection is an 8P8C RJ45-style jack.

Signal	PC	NMC
	1,4,6	
TxD	2	3
RxD	3	6
GND	5	4
	7,8	
	shield	shield

3.1.4 USB-RJ45 cable

This cable is used also on the more recent models, including Ellipse MAX, Protection Station, ...

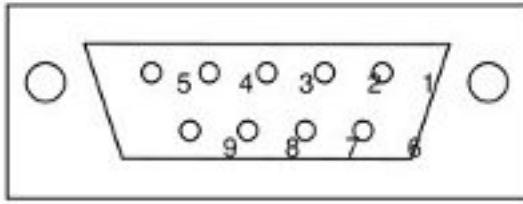
CABLE :



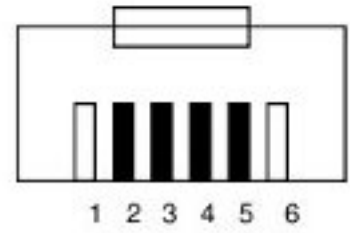
3.1.5 DB9-RJ12 cable

This cable is used on some older Ellipse models.

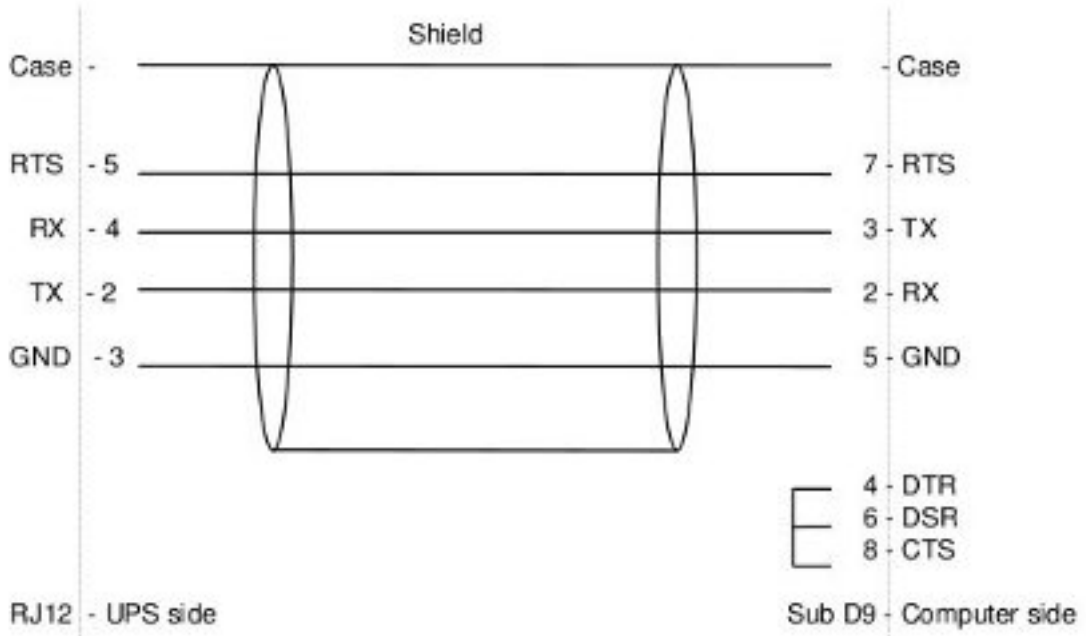
Sub D 9 :



RJ 12 :



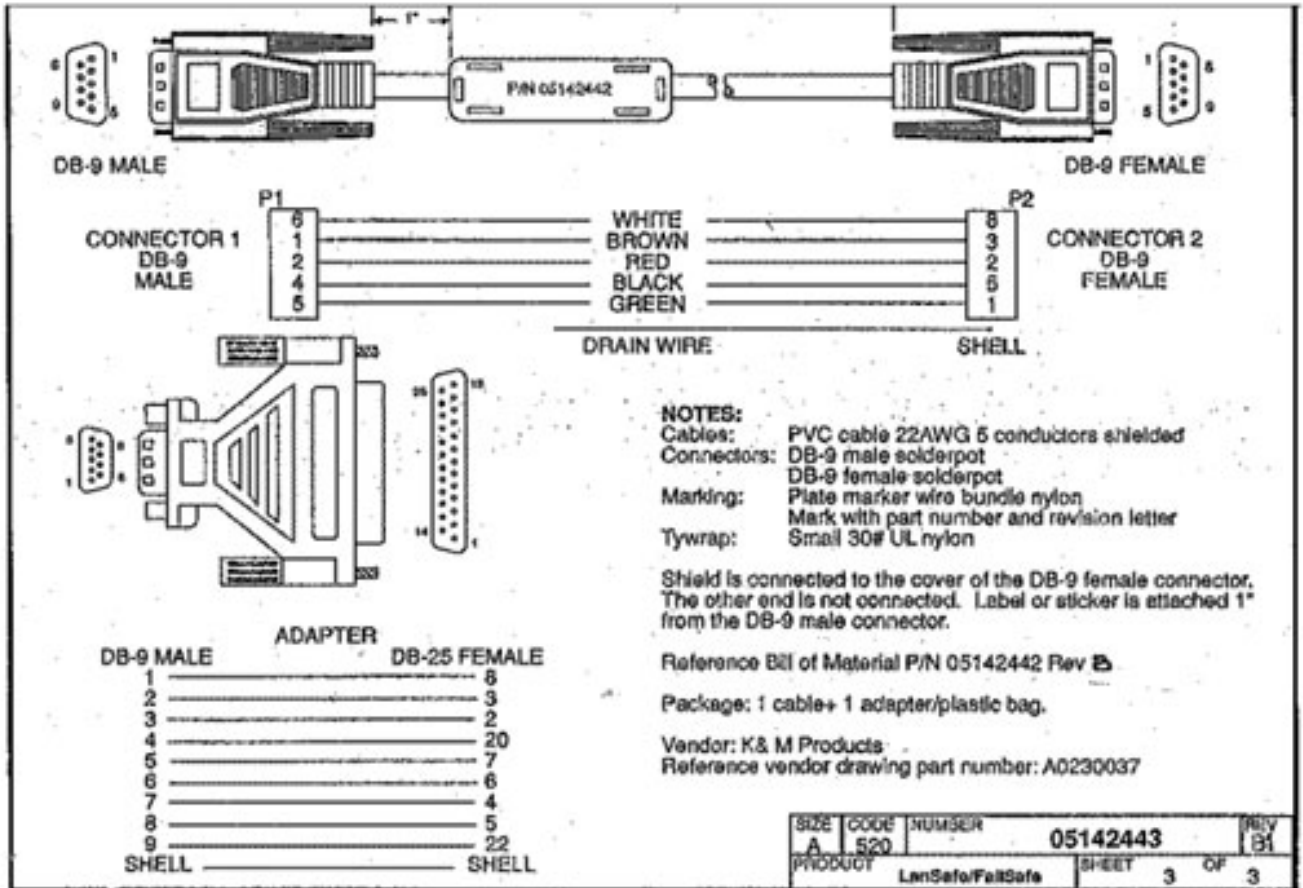
CABLE :



3.2 Powerware LanSafe

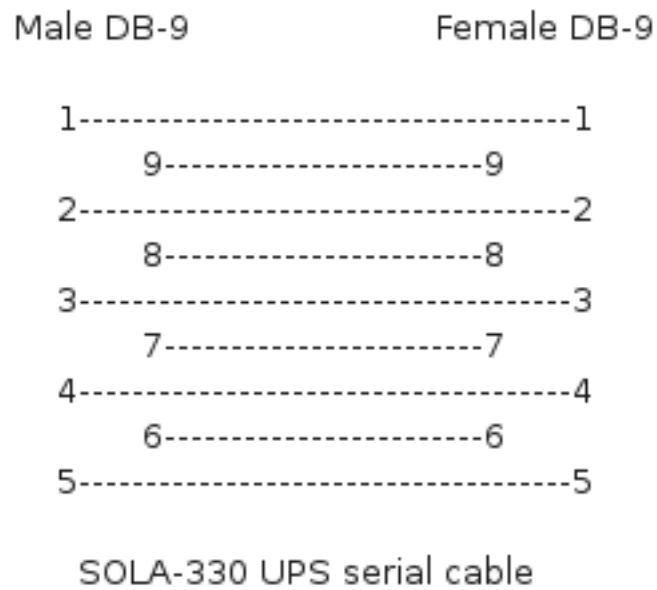
LanSafe for

3115 / 5105 / 5119 / 9110 / 9150 / 9305



3.3 SOLA-330

Just uses a normal serial cable, with pin 1-1 through to 9-9.



4 HP - Compaq

4.1 Older Compaq UPS Family

This cable can be used with the following models:

T700, T1000, T1500, T1500j, T700h, T1000h, T1500h, R1500, R1500j, R1500h, T2000, T2000j, T2400h, T2400h-NA, R3000 / R3000j, R3000h, R3000h-International, R3000h-NA, R6000h-NA, R6000i, R6000j.

UPS PC 9 pin connector

1 -----	3
2 -----	2
	4 -\
4 -----	5
	6 -/
6 -----	7

Contributed by Kjell Claesson and Arnaud Quette.

5 Phoenixtec (Best Power)

Many Best Power units (including the Patriot Pro II) have a female DB-9 socket with a non-standard pinout.

Signal	PC	UPS
	1,4,6	NC
TxD	2	2
RxD	3	1
GND	5	4
	7,8	NC

Sources:

- http://pinoutsguide.com/UPS/best_power_pinout.shtml
- http://lit.powerware.com/lit_download.asp?file=m_patriotproii_jan99.pdf
- Stan Gammons

6 Tripp-Lite

From Tripp-Lite, via Bryan Kolodziej

This cable (black 73-0844 cable) is used on various models, using the "Lan 2.2 interface" and the genericups driver (upstype=5).

